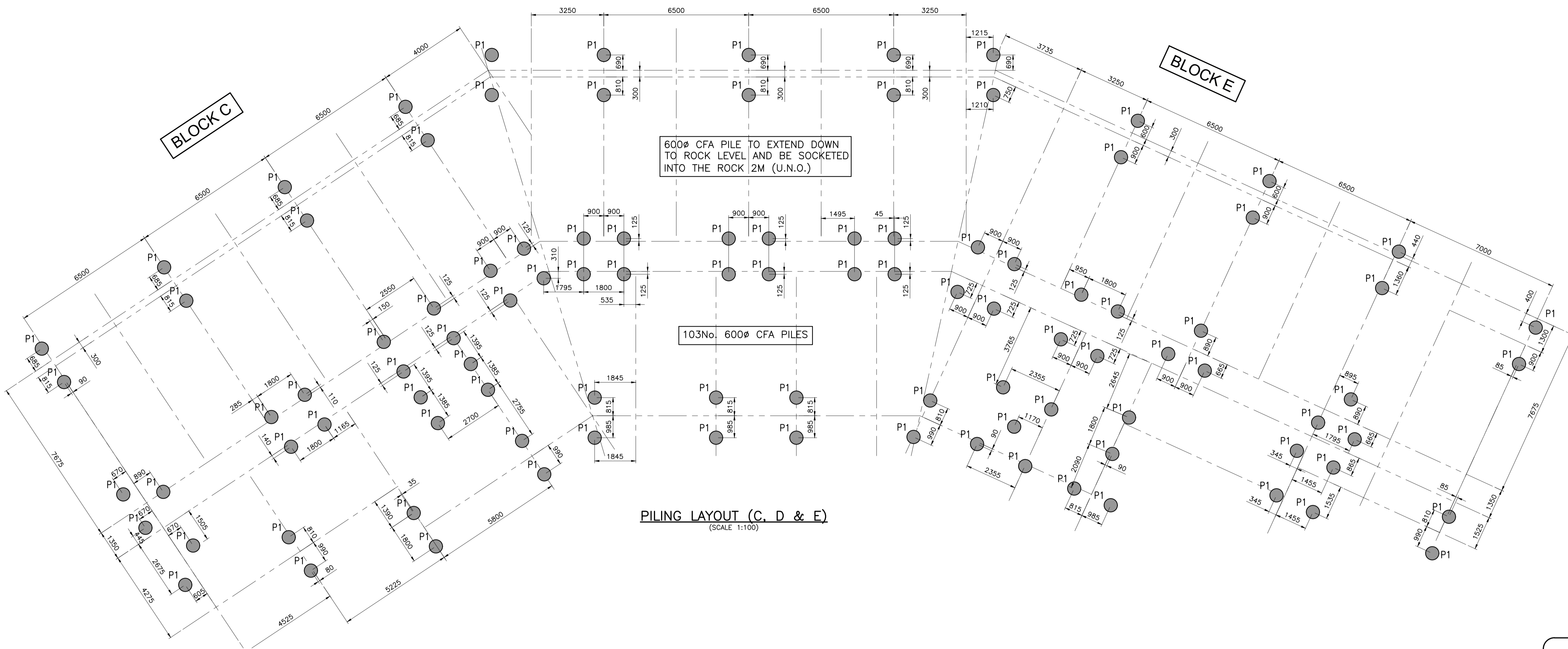


BLOCK D

BLOCK E

BLOCK C



PILING LAYOUT (C, D & E)
(SCALE 1:100)

NOTES :

THE CONTRACTOR IS TO ALLOW FOR ALL NECESSARY SITE INVESTIGATION TO WORKS TO ALLOW THE PILE DESIGNER CARRY OUT THE FINAL PILE DESIGN

CONTRACTOR TO ALLOW FOR PILING MAT WHICH IS TO BE DESIGNED & SPECIFIED BY THEIR CHOSEN PILING CONTRACTOR AND TEMPORARY WORKS DESIGNER.

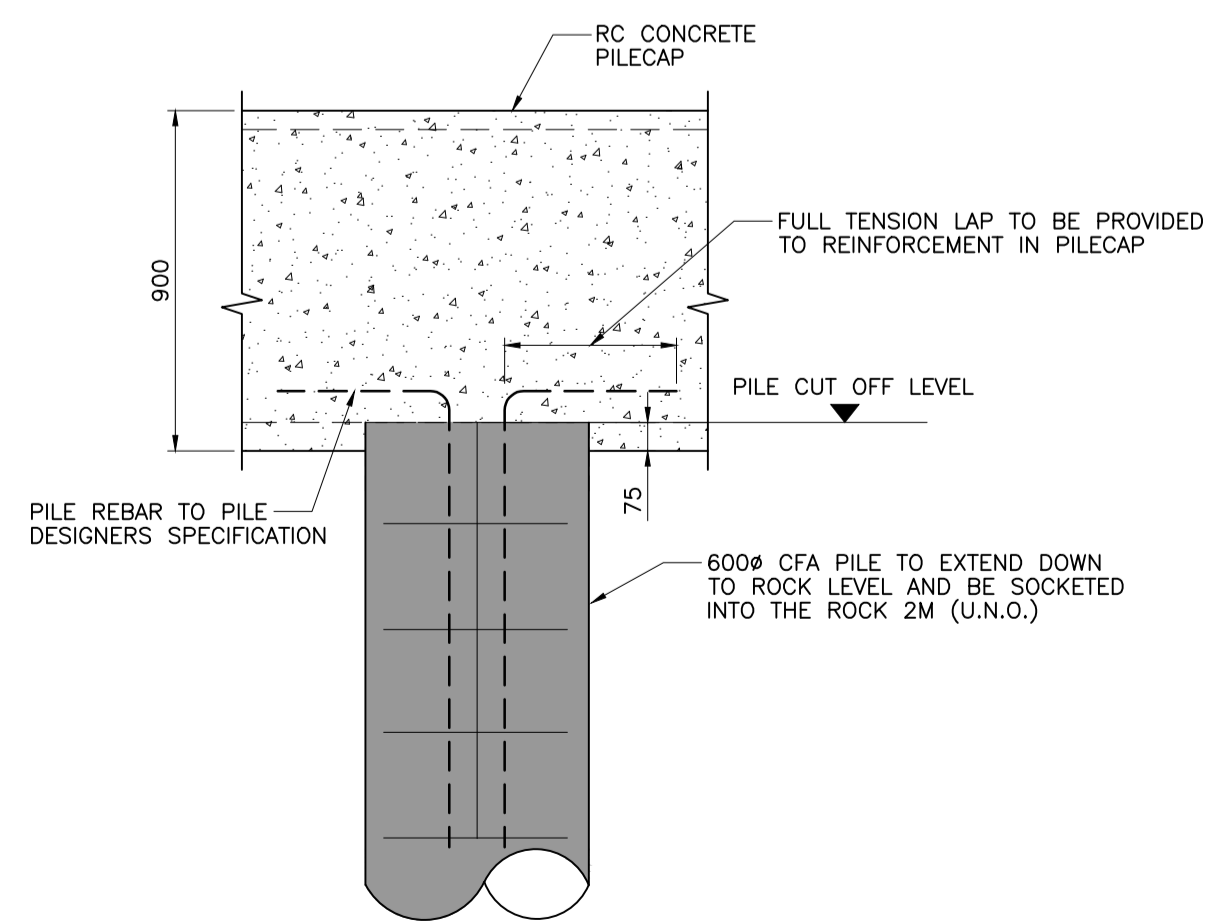
PILING CONTRACTOR TO ENSURE PILING PROPOSALS DO NOT REQUIRE RIGS TO CROSS OR IMPART ANY ADDITIONAL LOAD ON EXISTING BASEMENT. CONTRACTOR TO MAKE ALLOWANCE FOR ALL NECESSARY MEASURES

ALL RISING WALLS TO BE CENTERED ON GROUND BEAMS

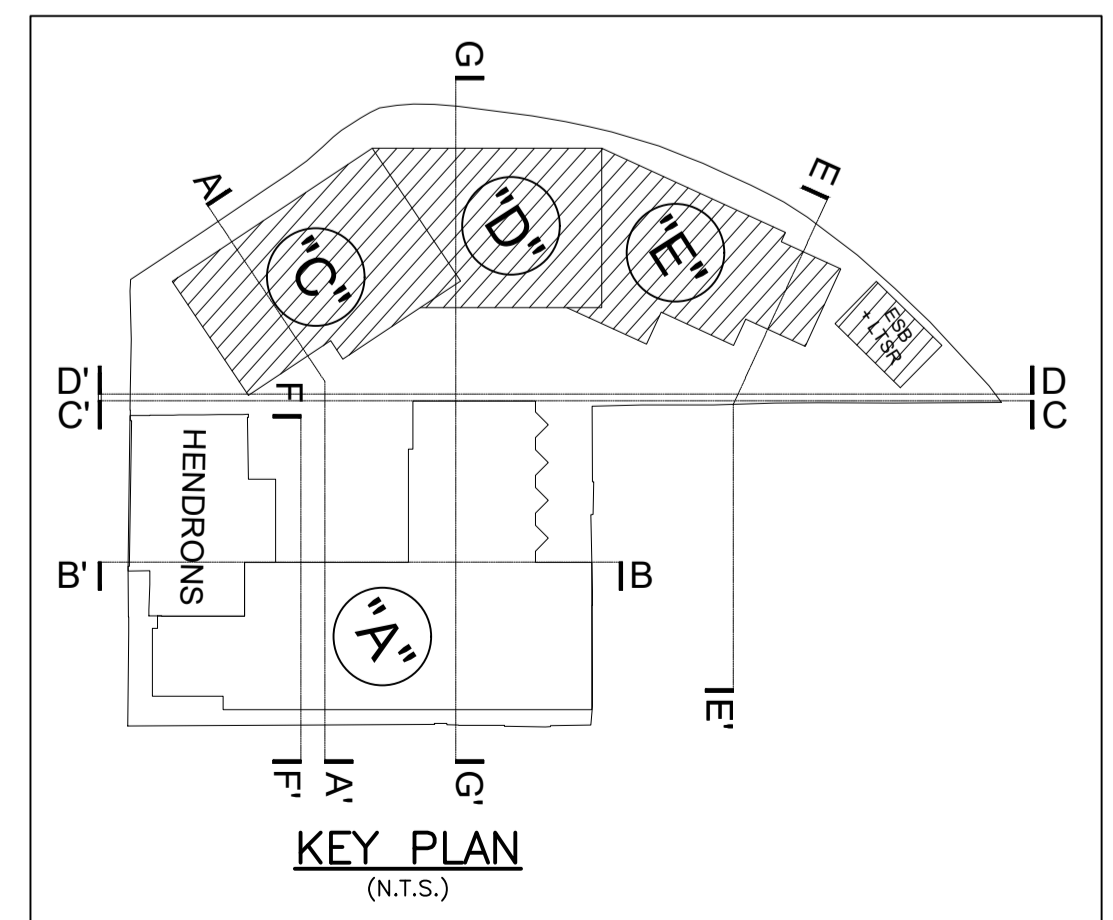
NOTES:

- DO NOT SCALE. USE FIGURED DIMENSIONS ONLY.
- THIS DRAWING IS TO BE READ IN CONJUNCTION WITH ALL OTHER RELEVANT ARCHITECTURAL AND ENGINEERING DRAWINGS.
- ALL STRUCTURAL CONCRETE TO BE GRADE C40/50 WITH 20mm MAX. AGGREGATE SIZE. UNLESS NOTED OTHERWISE.
- COVER TO REINFORCEMENT BELOW GROUND LEVEL TO BE 75mm WITHOUT BLINDING OR SHUTTERING.
COVER TO REINFORCEMENT BELOW GROUND LEVEL TO BE 50mm WITH BLINDING OR SHUTTERING.
COVER TO REINFORCEMENT ABOVE GROUND LEVEL TO BE 40mm
- REINFORCEMENT TO COMPLY WITH B.S. 8666:2005 AND TO BE FOLLOWS:
H - GRADE B500A, GRADE B500B OR GRADE B500C CONFORMING TO BS 4449:2005
A - GRADE B500A CONFORMING TO BS 4449:2005
B - GRADE B500B CONFORMING TO BS 4449:2005
C - GRADE B500C CONFORMING TO BS 4449:2005
- ALL STRUCTURAL STEELWORK TO BE GRADE S355 TO B.S.EN 10025.
- THE DETAILS OF ALL WELDING CONNECTIONS SHOULD COMPLY WITH B.S. 5135.
- FULL WORKSHOP DETAILS FOR ALL STRUCTURAL STEEL ELEMENTS ARE TO BE SUBMITTED TO THE ENGINEER FOR APPROVAL INCLUDING DESIGN CALCULATIONS FOR CONNECTIONS.
- ALL BOLTED JOINT CONNECTIONS TO BE BY MEANS OF GRADE 8.8 BOLTS B.S. 3692.
- THE CONTRACTOR IS TO INCLUDE FOR TESTING OF WORKSHOP WELDS AND SITE WELDS IN ACCORDANCE WITH THE REQUIREMENTS OF THE SPECIFICATION.
- ALL BLOCKWORK TO HAVE A MINIMUM COMPRESSION STRENGTH OF 7.5N/mm² (S5) TO IS20 UNLESS NOTED OTHERWISE
- WALL TIES:
CAVITY WALL TIES TO BE S/S STRIP TYPE WALL TIES AT 750mm C/C HORIZONTALLY AND 450mm C/C VERTICALLY, AT CONTROL JOINTS AND AROUND OPES'S TIES TO BE PROVIDED AT 225mm VERTICAL CENTRES.
- ALL STRUCTURAL TIMBER TO BE GRADE C16 TO IS444 OR BETTER.
- ALL REINFORCEMENT TO BE INSPECTED BY ENGINEER PRIOR TO POURING OF CONCRETE.
- IT IS THE CONTRACTOR'S RESPONSIBILITY TO VERIFY OR DETERMINE ALL DIMENSIONS AND LEVELS REQUIRED PRIOR TO COMMENCEMENT OF CONSTRUCTION OR PRODUCTION OF FABRICATION DRAWINGS.
- FOR ALL SETTING OUT, REFER TO ARCHITECTS DETAILS.
- PERISHABLE COMPRESSIBLE FILLER BOARD IS NOT TO BE USED.
- THE CONTRACTOR IS RESPONSIBLE FOR ALL TEMPORARY WORKS REQUIRED IN ORDER TO CONSTRUCT THE BUILDING, WHILST MAINTAINING OVERALL STABILITY.
- ALL PRECAST CONCRETE ELEMENTS TO BE CONSTRUCTED IN ACCORDANCE WITH SPECIALIST SUB-CONTRACTOR'S DETAILS AND SPECIFICATIONS.

- THE FORMATION FOR ALL FOUNDATIONS IS TO BE INSPECTED BY THE ENGINEER PRIOR TO THE POURING OF ANY CONCRETE. THE CONTRACTOR SHALL NOT EXCAVATE BELOW FORMATION LEVEL WITHOUT PRIOR WRITTEN INSTRUCTION FROM THE ENGINEER.
- ALL MATERIAL & WORKMANSHIP TO BE IN ACCORDANCE WITH ENGINEER'S SPECIFICATIONS.
- FILL MATERIAL IN ACCORDANCE WITH ANNEX E OF SR21 (2016) COMPACTED IN MAX 225mm MINIMUM 225mm DEPTH.
- ALL BLOCKWORK / CONCRETE INTERFACES TO BE TIED USING STAINLESS STEEL WALL TIES AT 225mm SPACING (VERT.)
- ALL INSULATION, DPC & RADON DETAILS TO ARCHITECT'S SPECIFICATIONS.
- REFER TO PRECAST SUPPLIER FOR PRECAST FLOOR PROPPING REQUIREMENTS.
- ALL PRECAST CONCRETE UNITS TO HAVE 100mm MINIMUM BEARING ONTO MASONRY WALLS/CONCRETE BEAMS/CONCRETE WALLS.
- USE JOIST HANGERS AT ALL TIMBER TO TIMBER JOINTS.
- BOTTOM OF TRENCHES TO BE CLEANED AND SIGNED OFF BY ENGINEER PRIOR TO THE POURING OF ANY CONCRETE.
- CONCRETE TRENCH FILL UNDER FOUNDATION STRIPS TO BE C20/25.
- ALL WALLS TO BE LOCATED CENTRALLY ON FOUNDATIONS (U.N.O.).



TYPICAL PILE HEAD DETAIL
(SCALE 1:20)



KEY PLAN
(N.T.S.)

LEGEND :

- INDICATES 600ø CFA PILE
- PC2 INDICATES PILECAP, REFER TO TABLE FOR DETAILS
- ▬ INDICATES 900x900dp RC GROUND BEAM (PLAN)

REV.	DATE	AMENDMENT	DRN	APPD

STATUS
FOR PLANNING

Waterman Moylan
Engineering Consultants

BLOCK 5, EASTPOINT BUSINESS PARK, ALFIE BYRNE ROAD, DUBLIN D03 K7W7 IRELAND.
Tel: (01) 664 8900 Fax: (01) 661 3618
Email: info@waterman-moylan.ie www.waterman-moylan.ie

CLIENT	WESTERN WAY DEVELOPMENTS LTD		
ARCHITECT	JOHN FLEMING ARCHITECTS		
PROJECT	WESTERN WAY SHD		
TITLE	BLOCK C, D & E PILE LAYOUT		

DRAWN SF	DESIGNED RO	APPROVED RO	DATE NOV 2020
SCALE AS SHOWN	JOB NO. 18-039	DRG. NO. P201	REVISION -